



DESCRIPTIONS

BMWC-L103S is a power pack which provides a 12V output to L107 sensors for luminaire drivers that do not have an auxiliary DC supply. The power pack also provide a 0-10V output for Bi-Level motion control and relay output.

FEATURES

- BMWC-L103S consists of a high-efficiency switching power supply with a 6A or 10A relay.
- The power pack switches loads on an off in response to occupancy status from low voltage sensors.
- 12VDC, 200mA output to power occupancy sensors.
- 1/2" threaded nipple attaches to standard electrical enclosures with 1/2" knockouts.

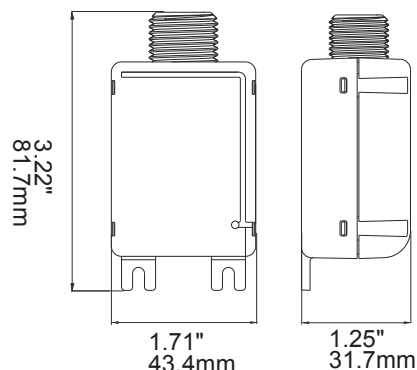
PHYSICAL DIMENSIONS

Unit:inch/mm

1/2 inch US standard knockout

AMERICAN INCH PRODUCTS		
Size	T.P.I	Major Dia.
	inch	inch
R1/2	14	0.825

120-277V, 10A/6A



TECHNICAL DATA

BMWC-L103S-10A-1-BLE-KL

Input Voltage: AC120-277V 14AWG

Frequency: 60Hz

10A Max 1200W @ 120V, 10A Max 2770W @ 277V

Dimming: Class 2, 0-10V DC 10mA Max

Sinking Current: 10mA Max

BMWC-L103S-6A-1-BLE-KL

Input / Output: AC120-277V 18AWG

Frequency: 60Hz

6A Max 720W @ 120V, 6A Max 1662W @ 277V

Dimming: Class 2, 0-10V DC 10mA Max

Sinking Current: 10mA Max

BMWC-L103S-10A-8-BLE-KL

Input / Output: AC120-347V 14AWG

Frequency: 50/60Hz

10A Max 1200W @ 120V, 10A Max 3470W @ 347V

Dimming: Class 2, 0-10V DC 10mA Max

Sinking Current: 10mA Max

BMWC-L103S-6A-8-BLE-KL

Input / Output: AC120-347V 18AWG

Frequency: 50/60Hz

6A Max 720W @ 120V, 6A Max 2082W @ 347V

Dimming: Class 2, 0-10V DC 10mA Max

Sinking Current: 10mA Max

Housing Material: UL 94-5VA,

Indoor Use Only

Operating Temperature: -30°C to 65°C,

-22°F to 149°F

Storage Temperature: -30°C to 85°C,

-22°F to 185°F

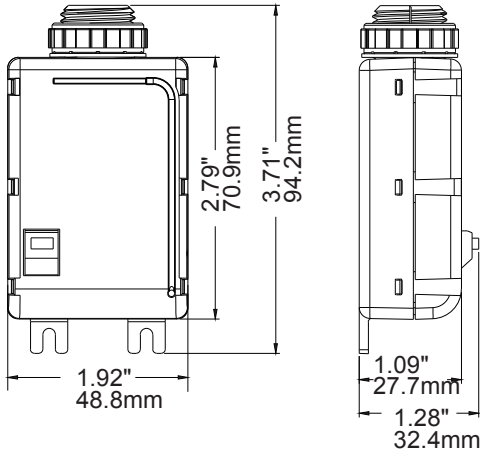
IP Rating: IP20

Color: White

Comply to UL8750,RoHS

Safety: cULus Listed LED Controller

120-277V, 10A/6A

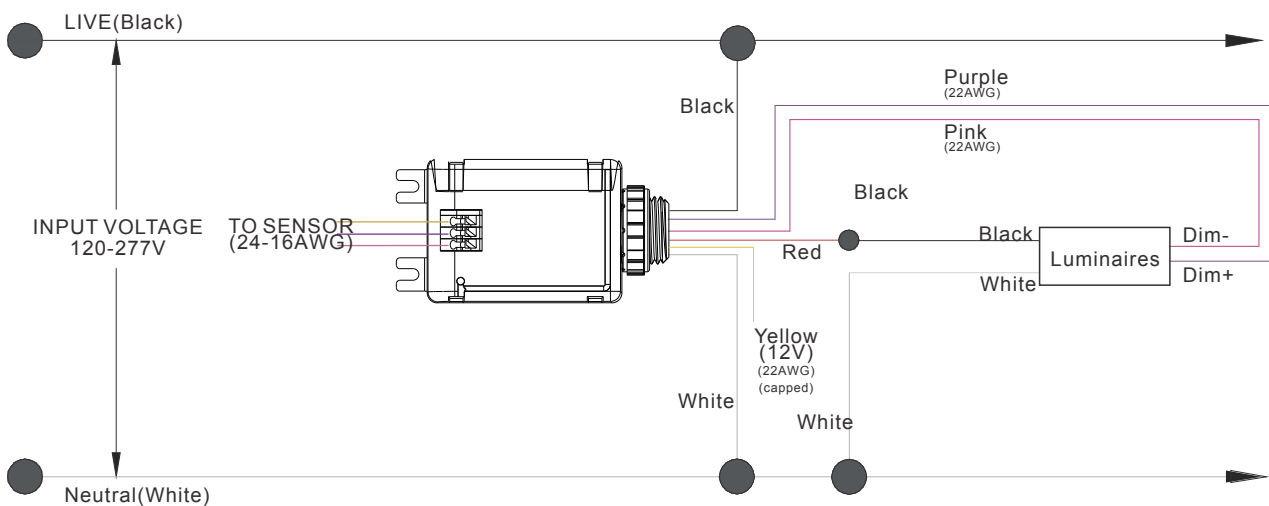


ORDERING INFORMATION

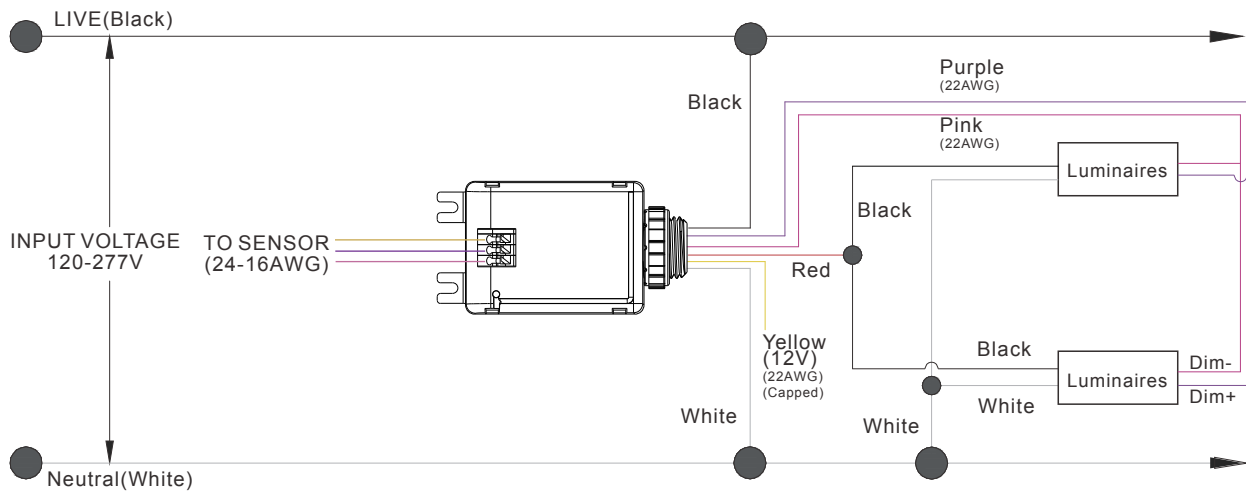
MODEL	DESCRIPTION
BMWC-L103S-10A-1-BLE-KL	12V Power Pack, 10A, 120-277V
BMWC-L103S-6A-1-BLE-KL	12V Power Pack, 6A, 120-277V
BMWC-L103S-10A-8-BLE-KL	12V Power Pack, 10A, 120-347V
BMWC-L103S-6A-8-BLE-KL	12V Power Pack, 6A, 120-347V

WIRING DIAGRAM

For Single Fixture



For Multiple Fixtures



Ref#: 20240717

* Please make sure the 0-10V dimming current not exceeding the Max. sinking current of the sensor when multiple fixtures connecting to the sensor that power by BMWC-L103S.

WARRANTY

Five year limited warranty.

Specifications subject to change without notice.